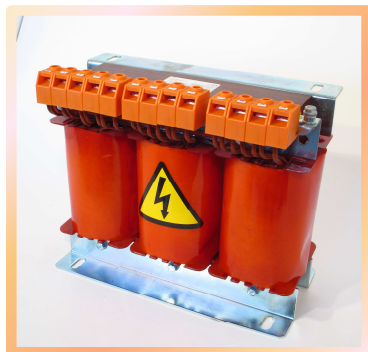


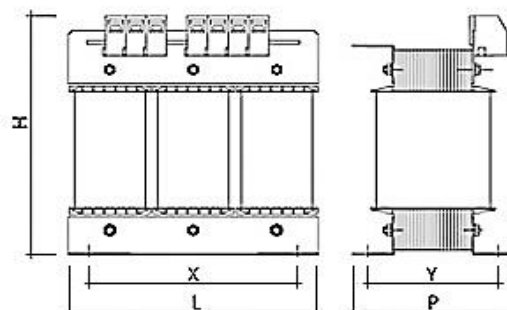
SERIE SPECIALE

TRASFORMATORI D'ISOLAMENTO E DI SICUREZZA TRIFASE SERIE "F"

Tensioni primarie e secondarie a richiesta



DIMENSIONI



Nota: Per potenze superiori tutti i dati verranno forniti al momento della richiesta.

POTENZA	L	H	P	INTERASSE XxY	PESO
300	165	135	105	90X60	4,5
500	165	135	115	90X70	5,5
630	180	165	120	145X65	7,5
800	180	165	140	145X85	9,5
1000	180	165	150	145X95	12,0
1300	240	210	115	177X80	14,5
1600	240	210	135	177X100	15,0
2000	240	210	150	177X115	20,0
2500	300	280	130	250X90	22,0
3200	300	280	150	250X110	29,0
4000	300	280	160	250X120	34,0
5000	300	280	170	250X130	39,0
6300	360	330	165	325X120	43,0
7000	360	330	185	325X140	55,0
8000	360	330	205	325X160	66,0
10000	420	410	195	375X140	68,0
13000	420	410	215	375X160	83,0
16000	420	410	245	375X190	106,0
20000	480	450	310	430X190	110,0
25000	480	450	340	430X220	141,0
30000	480	450	400	430X240	165,0
40000	600	620	390	360X200	189,0
50000	600	620	420	360X230	237,0
63000	600	620	440	360X260	284,0
70000	600	620	460	360X280	316,0
80000	600	620	490	360X310	366,0
90000	600	620	500	360X320	385,0
100000	600	620	520	360X340	423,0