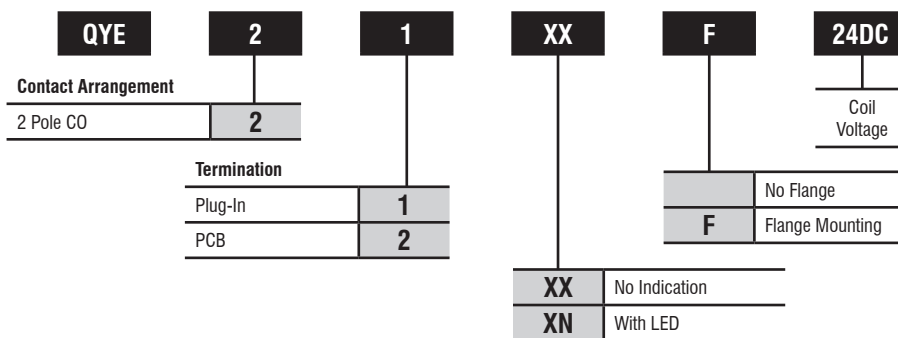


Miniature Intermediate Power Relay QYE

- 10A Switching Capability
- 1.5kV Dielectric Strength (between coil & contacts)
- Plug-In, PCB or Flange Mountable
- Different Sockets Available
- RoHS Compliant
- Conforms to the CE Low Voltage Directive
- Outline Dimensions: 28.0 x 21.3 x 35.2mm



Options & Ordering Codes



Contact Data	
Contact Arrangement	2P
Contact Resistance	100mΩ (at 1A 6VDC)
Contact Material	AgSnO ₂
Contact Rating	10A 250VAC / 30VDC
Max. Switching Voltage	250VAC / 30VDC
Max. Switching Current	10A
Max. Switching Power	2500VA / 300W
Mechanical Life	1x10 ⁷ OPS
Electrical Life	1x10 ⁵ OPS

Characteristics		
Initial Insulation Resistance		500MΩ (at 500VDC)
Dielectric Strength	Between coil & contacts	1500VAC 1min
	Between open contacts	1000VAC 1min
	Between contact sets	1500VAC 1min
Operate Time (at nominal voltage)		25ms max.
Release Time (at nominal voltage)		25ms max.
Shock Resistance	Functional	100m/s ²
	Destructive	1000m/s ²
Vibration Resistance		10 to 55Hz 1.5mm DA
Ambient Temperature		-40°C to +55°C
Humidity		98% RH, +40°C
Termination	8 Pin	PCB, Plug-In
Unit Weight		Approx 37g
Construction		Dust Protected

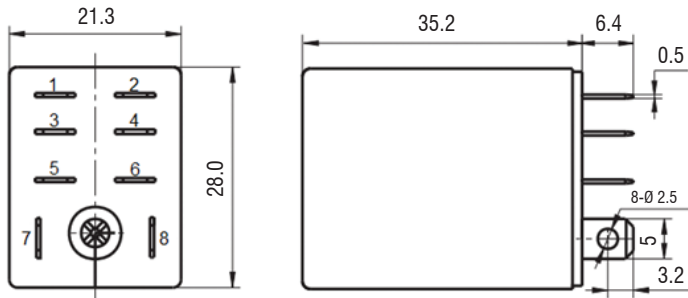
Coil		
Coil Power	DC Type	900mW
	AC Type	1.2VA

Coil Data at 23°C			
Nominal Voltage VDC	Pick-Up Voltage VDC	Drop-Out Voltage VDC	Coil Resistance Ω
6	4.8	0.6	40 (1±10%)
12	9.6	1.2	160 (1±10%)
24	19.2	2.4	650 (1±10%)
48	38.4	4.8	2600 (1±10%)
110	88.0	11.0	11000 (1±10%)

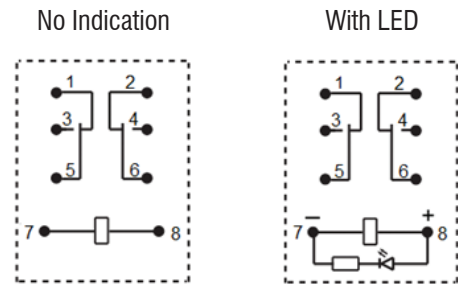
Nominal Voltage VAC	Pick-Up Voltage VAC	Drop-Out Voltage VAC	Coil Resistance Ω
6	4.8	1.8	12 (1±10%)
12	9.6	3.6	46 (1±10%)
24	19.2	7.2	180 (1±10%)
48	38.4	14.4	780 (1±10%)
110	80.0	30.0	3750 (1±10%)
220	160.0	60.0	12950 (1±10%)
230	176.0	72.0	18790 (1±10%)

Miniature Intermediate Power Relay QYE

Plug-In Dimensions (mm)

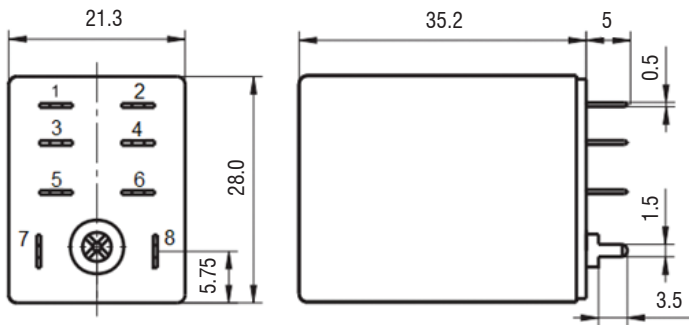


Wiring Diagram

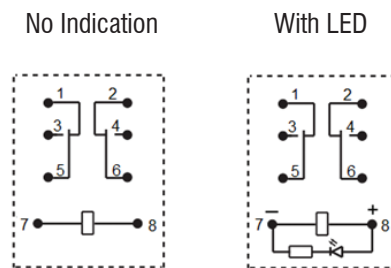


NOTE: For AC parts with diode, the positive and negative pole markings on wiring diagram are not applicable.

PCB Dimensions (mm)

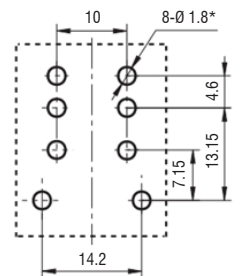


Wiring Diagram



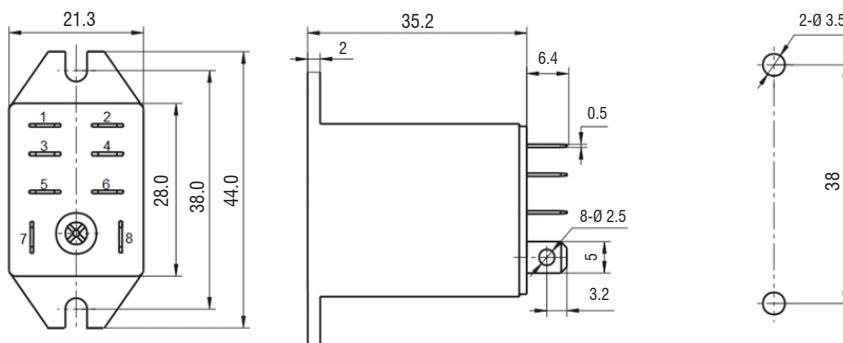
NOTE: For AC parts with diode, the positive and negative pole markings on wiring diagram are not applicable.

PCB Layout



* Please adjust the site of this diameter according to the actual application

Flange Mounting



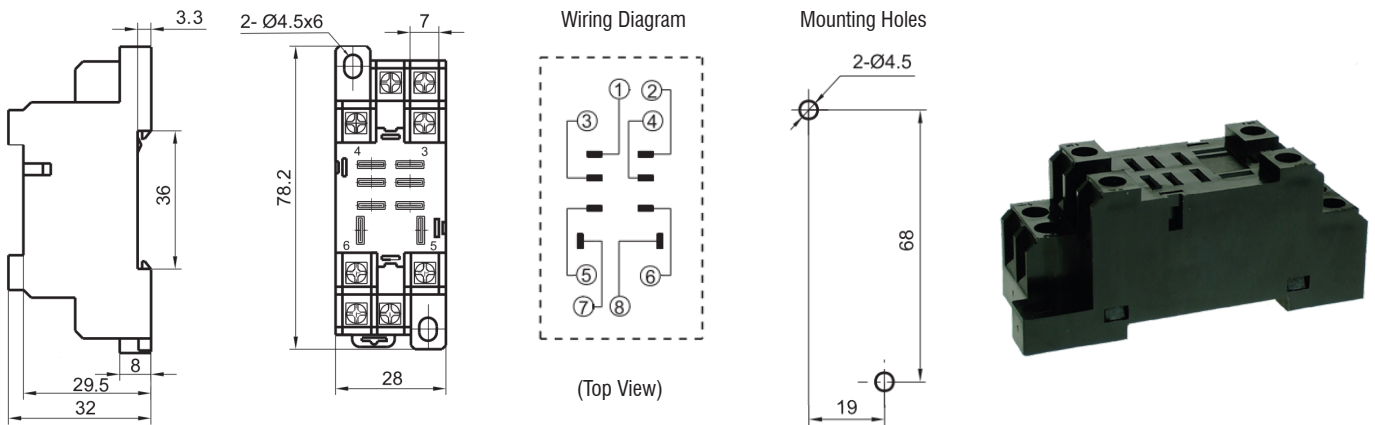
Miniature Intermediate Power Relay QYE



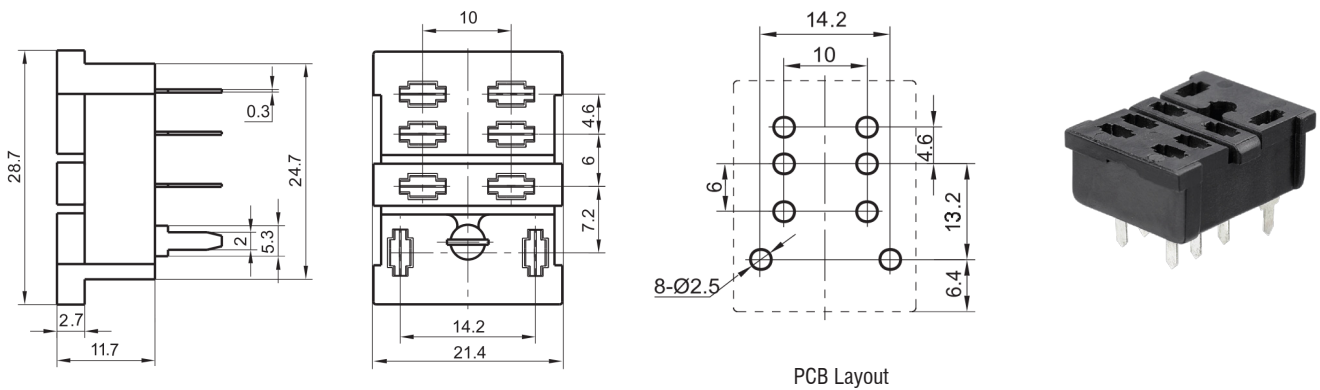
Bases - Dimensions (mm)

Relay	Base	Nominal Voltage (V)	Nominal Current (A)	Ambient Temperature	Dielectric Strength Min.	Screw Torque (Nm)	Wire Strip Length (mm)
QYE	SRHE2-C	300V	10A	-25°C to +85°C	2500VAC	0.5Nm	7mm
QYE	SRPE2-0	300V	10A	-25°C to +85°C	1500VAC	n/a	n/a

SRHE2-C



SRPE2-0



SRC-CLIP

