

iView Advanced HMI - E Series



Key Features

- In-built FTP functionality
- 3 x serial ports
- In-built Ethernet port for remote connectivity*
- 2 x USB ports (1 x USB A, 1 x USB B)
- Remote monitoring using VNC (web) server
- USB for data logging
- In-built offline software simulation
- IP65 rated
- Email Support
- IOT Support - IDCS & MQTT

* Model dependant



Technical Datasheet



Options & Ordering Codes

IV2	04	E	-	S	E	C	P
Series Name							Bezel Material
iView 2nd Gen.	IV2						P Plastic
Screen Size (diagonal)							COM Ports
4.3"	04					C	RS232, RS422 / 485, RS485
7.0"	07						Connectivity
10.4"	10						E Ethernet
Hardware Specification							O No Ethernet
See specification		E					Operation
				S			Standard

Specifications

Part Number	IV204E-SOCP	IV204E-SECP	IV207E-SECP	IV210E-SECP
Size	4.3"	4.3"	7.0"	10.1"
Resolution / Colours	480 x 272 / 65K	480 x 272 / 65K	800 x 600 / 65K	1024 x 600 / 65K
System Memory	64 MB	64 MB	64 MB	64 MB
In-built Storage Memory	64 MB	64 MB	64 MB	64 MB
Battery Backup Memory	128 KB	128 KB	128 KB	128 MB
COM 1	RS232 (5-pin terminal)	RS232 (5-pin terminal)	RS232 (DB9)	RS232 (DB9)
COM 2	RS422/485 (5-pin terminal)	RS422/485 (5-pin terminal)	RS422/485 (DB9)	RS422/485 (DB9)
COM 3	RS485 (5-pin terminal)	RS485 (5-pin terminal)	RS485 (DB9)	RS485 (DB9)
USB	2	2	2	2
Ethernet	No	Yes	Yes	Yes
Real Time Clock	Built In	Built In	Built In	Built In
Certification	CE, FCC	CE, FCC	CE, FCC	CE, FCC
Ratings	IP65	IP65	IP65	IP65
Voltage Ratings	24VDC ±10% Isolated	24VDC ±10% Isolated	24VDC ±10% Isolated	24VDC ±10% Isolated
Power Ratings	0.4A, 10W	0.4A, 10W	0.8A, 20W	0.8A, 20W
Operating Temperature	-10°C to +50°C	-10°C to +50°C	-10°C to +50°C	-10°C to +50°C
Net Weight	0.23kg	0.23kg	0.55kg	1.1kg

iView Advanced HMI - E Series

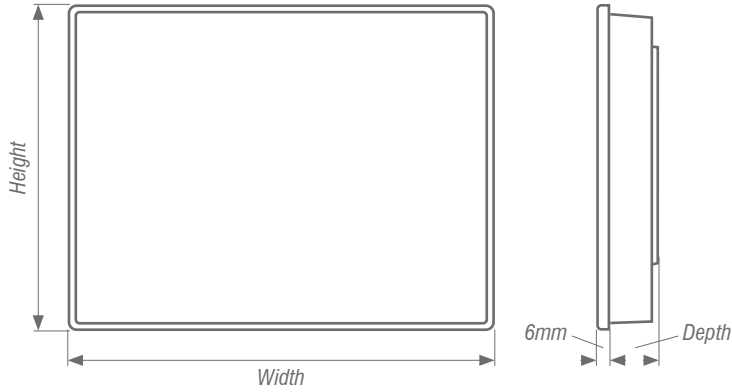


Technical Datasheet

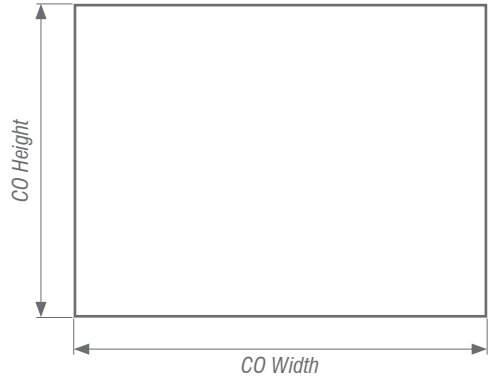
Accessories

Part Number	IV-USB
Description	USB Programming Cable

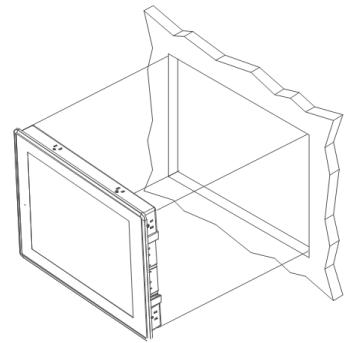
Dimensions



Cut Out Dimensions



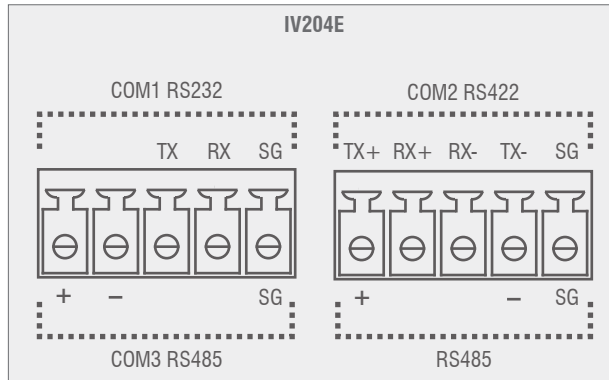
Model	Width	Height	Depth	CO Width	CO Height
IV204E-SOCP	129mm	103mm	33mm	118.5mm	92.5mm
IV204E-SECP	129mm	103mm	33mm	118.5mm	92.5mm
IV207E-SECP	203.5mm	148.5mm	37mm	191.5mm	138mm
IV210E-SECP	270.8mm	212.8mm	42.5mm	259mm	201mm



Serial Port Connections

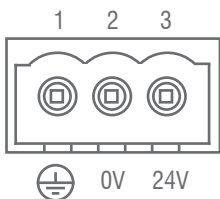
DB-Type*

Pin	Description
1	RS422 TXD+/RS485+ (COM2)
2	RS232 RXD (COM1)
3	RS232 TXD (COM1)
4	RS422 RXD+ (COM2)
5	SG
6	RS422 TXD-/RS485- (COM2)
7	RS485- (COM3)
8	RS485+ (COM3)
9	RS422 RXD- (COM2)



* Applicable for IV07E & IV210E only

Power Supply



NOTE: Do not open the rear cover of the panel when power is applied