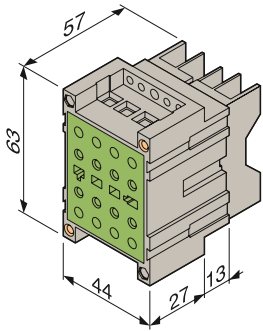
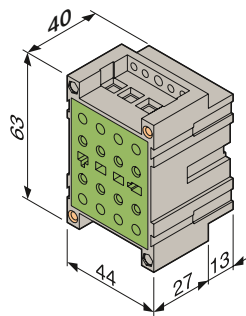


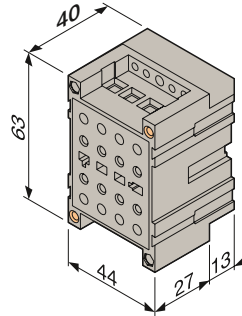
**Sockets**



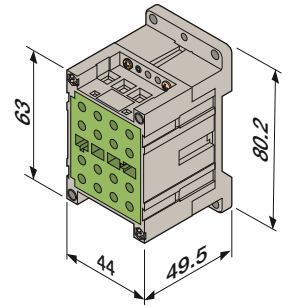
Half-base mounting



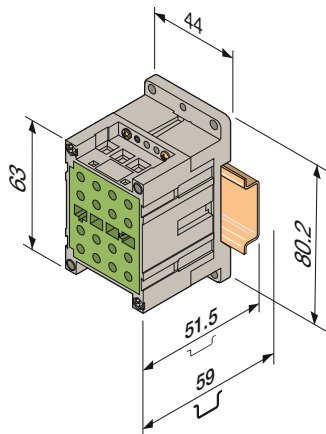
Rack mounting



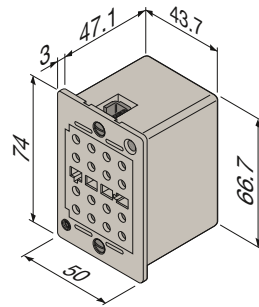
Base mounting



Base mounting with KEM-3

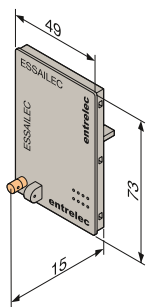


TH35 rail mounting

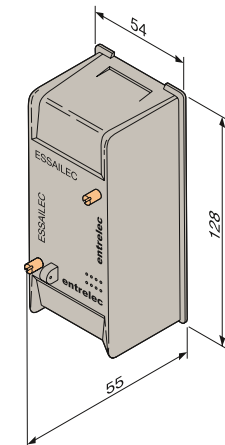


RJ45

**Lids and covers**

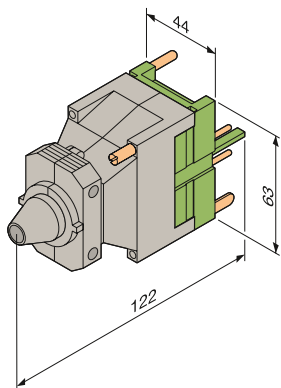


Lid

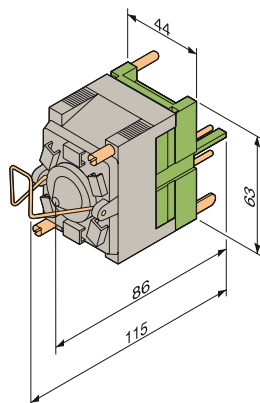


Cover

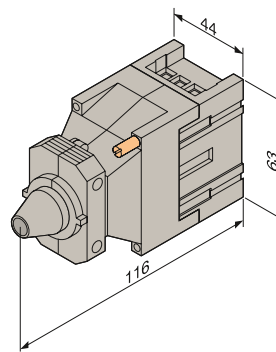
Plugs



Plug 2x4 poles long cover



Plug 2x4 poles short cover

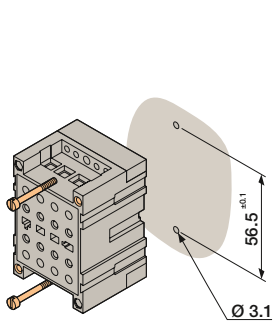


Reverse mounting

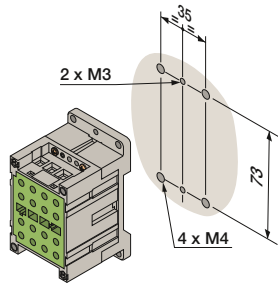
# ESSAILEC®

## Outer dimensions, mounting instructions

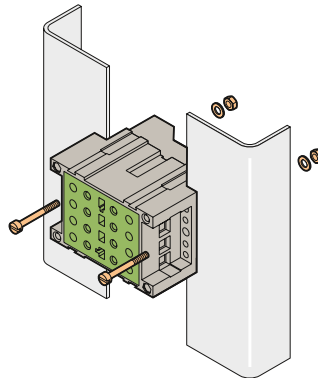
### Sockets



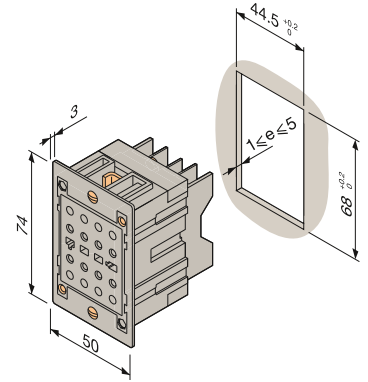
Base mounting  
0.5 Nm < Tightening torque  
< 0.8 Nm.



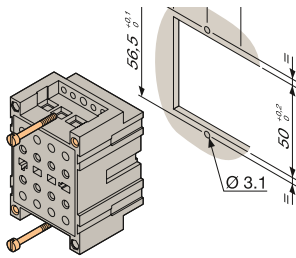
Base mounting



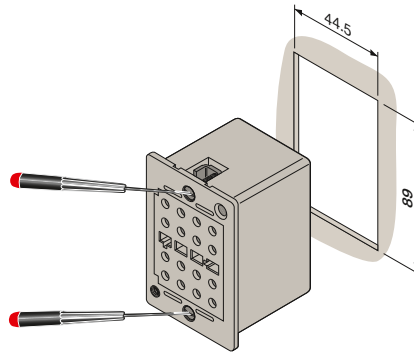
Flush mounting



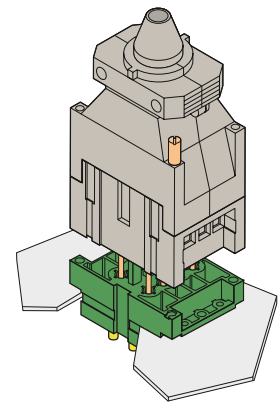
Flush mounting  
The flush mounting kit must be mounted on the socket prior to the installation on the panel.  
Tightening torque = 0.5 Nm maxi.



Half-base mounting - Rack mounting  
The rack mounting is supplied with 2 additional guiding pins.  
0.5 Nm < Tightening torque < 0.8 Nm.

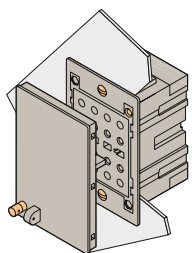


Flush mounting (RJ45)

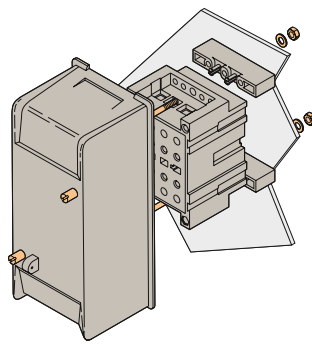


Reverse mounting

### Lids and covers



Flush mounting



Base mounting